

# Technical data sheet



## Product features

### Cooking range combined with static electric oven GN 2/1 - 6x burner ECO

<b>Model</b>	<b>SAP Code</b>	00110109
--------------	-----------------	----------



- Device type: Combined unit
- Power consumption of the zone 1 [kW]: 6
- Power consumption of the zone 2 [kW]: 6
- Power consumption of the zone 3 [kW]: 6
- Power consumption of the zone 4 [kW]: 6
- Power consumption of the zone 5 [kW]: 3,5
- Power consumption of the zone 6 [kW]: 3,5
- Type of internal part of the appliance 1 (eg oven): Electric
- Type of internal part of the appliance 2 (eg oven): Static
- Material: AISI 304 top plate, AISI 430 cladding

<b>SAP Code</b>	00110109	<b>Power consumption of the zone 2 [kW]</b>	6
<b>Net Width [mm]</b>	1200	<b>Power consumption of the zone 3 [kW]</b>	6
<b>Net Depth [mm]</b>	700	<b>Power consumption of the zone 4 [kW]</b>	6
<b>Net Height [mm]</b>	900	<b>Power consumption of the zone 5 [kW]</b>	3,5
<b>Net Weight [kg]</b>	115.00	<b>Power consumption of the zone 6 [kW]</b>	3,5
<b>Power electric [kW]</b>	6.300	<b>Type of internal part of the appliance 1 (eg oven)</b>	Electric
<b>Loading</b>	400 V / 3N - 50 Hz	<b>Type of internal part of the appliance 2 (eg oven)</b>	Static
<b>Power gas [kW]</b>	31.000	<b>Width of internal part [mm]</b>	682
<b>Type of gas</b>	Natural gas, propane butane	<b>Depth of internal part [mm]</b>	558
<b>Number of zones</b>	6	<b>Height of internal part [mm]</b>	348
<b>Power consumption of the zone 1 [kW]</b>	6	<b>Diameter of device [mm]</b>	100

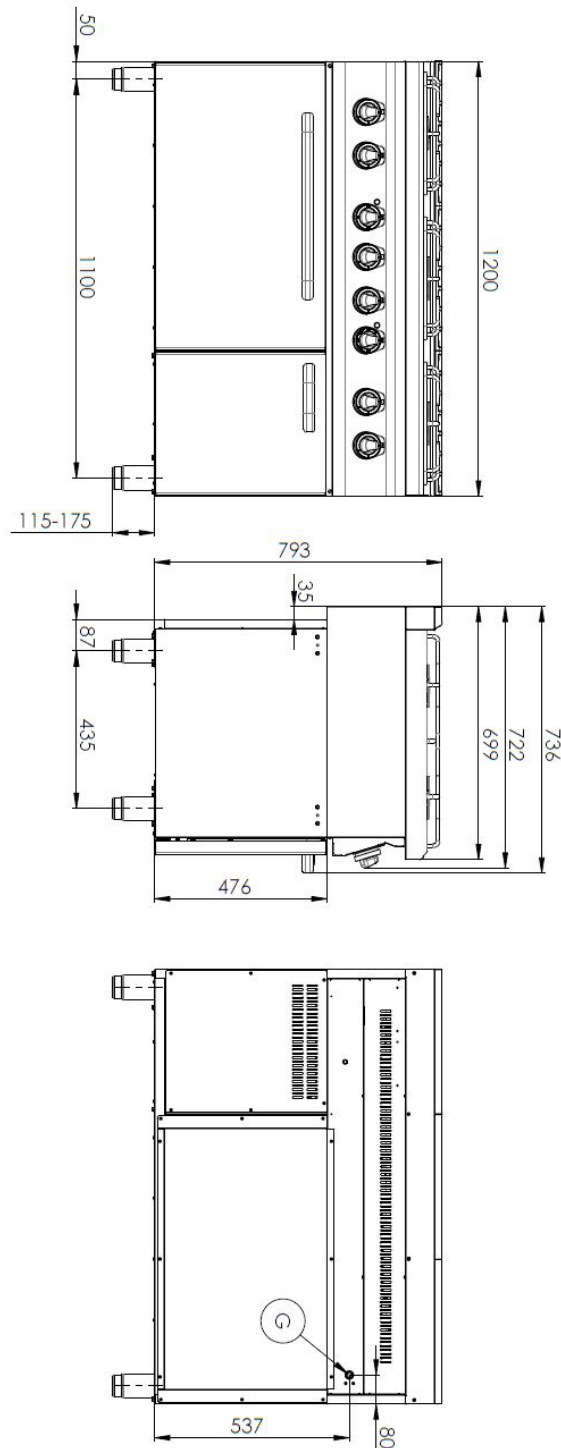
# Technical data sheet



Technical drawing

Cooking range combined with static electric oven GN 2/1 - 6x burner ECO

<b>Model</b>	<b>SAP Code</b>	00110109
--------------	-----------------	----------



# Technical data sheet



## Product benefits

### Cooking range combined with static electric oven GN 2/1 - 6x burner ECO

<b>Model</b>	<b>SAP Code</b>	00110109
--------------	-----------------	----------

1

#### Massive construction of burners

high performance and efficiency  
cast iron burners removable  
long life

- energy saving (perfect combustion)
- time saving for food preparation
- easy maintenance/cleaning

2

#### Hygienic moldings of the top plate

absence of sharp corners and edges (potential places where dirt could stick)  
smooth transitions

- easy quick cleaning

3

#### Degree of protection of the control elements IPX4

maintenance-free system  
resistance to splash water  
long life

- savings on service interventions
- easy cleaning and maintenance of equipment

4

#### All-stainless design

long life  
resistance of a ground steel plate with a thickness of 10 mm

- savings on service interventions
- higher corrosion resistance

5

#### Safety element - thermocouple

safe operation for personnel  
there is no overheating and damage to the thallus  
long life

- savings on service interventions
- easier and faster operation

6

#### Large electric oven with four positions for racks with static cooking

possibility of baking  
high capacity and variability  
all-stainless design

- suitable for yeast dishes and desserts
- long service life
- easy to clean

# Technical data sheet



## Technical parameters

### Cooking range combined with static electric oven GN 2/1 - 6x burner ECO

Model	SAP Code
	00110109

**1. SAP Code:**

00110109

**2. Net Width [mm]:**

1200

**3. Net Depth [mm]:**

700

**4. Net Height [mm]:**

900

**5. Net Weight [kg]:**

115.00

**6. Gross Width [mm]:**

1240

**7. Gross depth [mm]:**

800

**8. Gross Height [mm]:**

975

**9. Gross Weight [kg]:**

132.00

**10. Device type:**

Combined unit

**11. Construction type of device:**

With substructure

**12. Power electric [kW]:**

6.300

**13. Loading:**

400 V / 3N - 50 Hz

**14. Power gas [kW]:**

31.000

**15. Type of gas:**

Natural gas, propane butane

**16. Material:**

AISI 304 top plate, AISI 430 cladding

**17. Worktop material:**

AISI 304

**18. Worktop Thickness [mm]:**

1.20

**19. Number of zones:**

6

**20. Power consumption of the zone 1 [kW]:**

6

**21. Power consumption of the zone 2 [kW]:**

6

**22. Power consumption of the zone 3 [kW]:**

6

**23. Power consumption of the zone 4 [kW]:**

6

**24. Power consumption of the zone 5 [kW]:**

3,5

**25. Power consumption of the zone 6 [kW]:**

3,5

**26. Number of power control stages:**

6

**27. Safety thermostat up to x ° C:**

360

**28. Adjustable feet:**

Yes

# Technical data sheet

Technical parameters



Cooking range combined with static electric oven GN 2/1 - 6x burner ECO

Model

SAP Code

00110109

**29. Number of burners/hot plates:**

6

**30. Diameter of device [mm]:**

100

**31. Type of gas cooking zones:**

Cast iron burners

**32. Type of internal part of the appliance 1 (eg oven):**

Electric

**33. Type of internal part of the appliance 2 (eg oven):**

Static

**34. Width of internal part [mm]:**

682

**35. Depth of internal part [mm]:**

558

**36. Height of internal part [mm]:**

348

**37. Maximum temperature of the inner chamber [°C]:**

300

**38. Minimum temperature of the inner chamber [°C]:**

50

**39. Number of internal parts:**

4